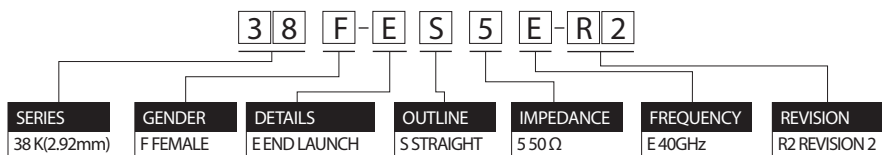


PART NUMBER DESCRIPTION



MATERIAL AND FINISH

	MATERIAL	FINISH
CENTER CONTACT	BERYLLIUM COPPER	GOLD
INSULATOR	ULTEM 1000	AMBER
OUTER CONTACT	STAINLESS BRASS	GOLD PLATED(NICK UNDERPLATED) COPPER TIN ZINC ALLOY

MECHANICAL

	TEST CONDITION	SPECIFICATIONS
FORCE TO ENGAGE	N/A	2 in-lbs. Max
FORCE TO DISENGAGE	N/A	2 in-lbs. Max
COUPLING RETENTION	60mm/min	6 lbs min

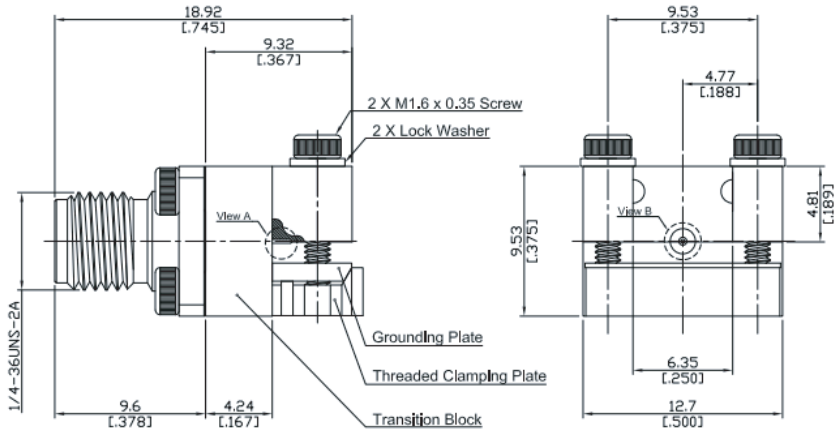
ELECTRICAL

	TEST CONDITION	SPECIFICATIONS
IMPEDANCE	DC ~ 40 GHz	50 Ω
VSWR	DC ~ 40 GHz	1.3 MAX

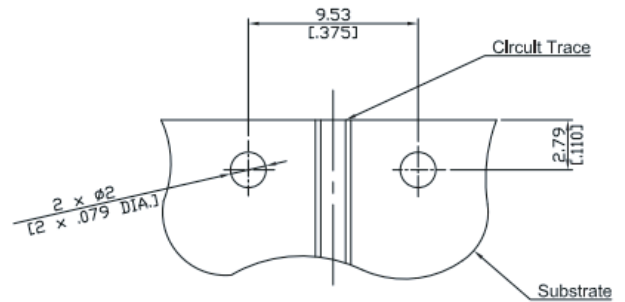
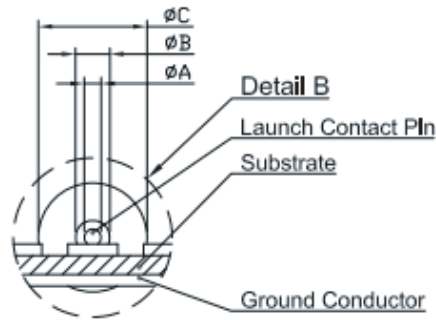
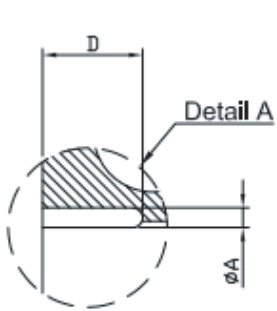


K (2.92mm) FEMALE END LAUNCH CONNECTOR

STANDARD DIMENSIONS



ΦA	ΦB	ΦC	D
0.25mm	0.51mm	1.61mm	1.27mm



RAPIDTEK
RF COAXIAL PRODUCTS

Rapidtek Magnetic Devices Inc.
http://www.rapidtek.net
Tel : 02 - 8698 - 1068
Fax : 02 - 8698 - 1018

17F, No.75, Sec. 1, Xintai 5th Rd., Xizhi Dist., New Taipei City 22101, Taiwan

TWN0201110050002
Ver.01 ; 20181011