

**MATERIAL AND FINISH**

	MATERIAL	FINISH
CENTER CONTACT	BERYLLIUM COPPER	30μ" GOLD
INSULATOR	PTFE	WHITE
OUTER CONTACT	STAINLESS STEEL	PASSIVATED
	BERYLLIUM COPPER	3μ" GOLD

**MECHANICAL**

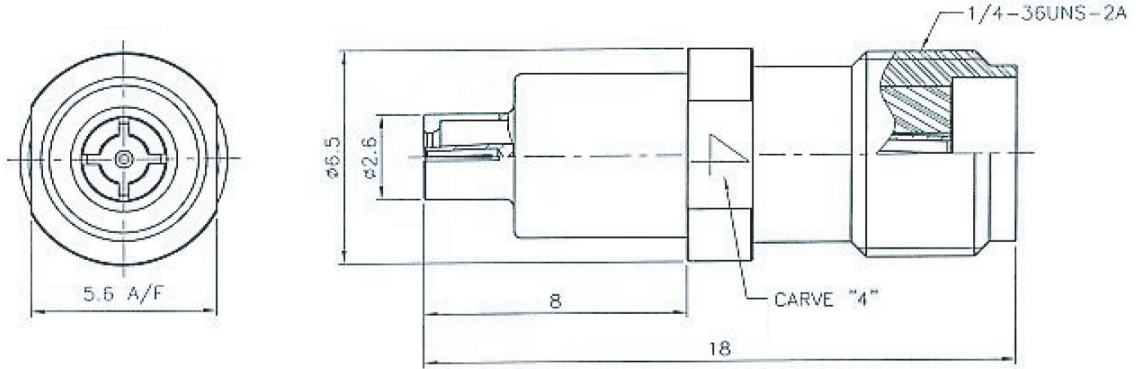
	TEST CONDITION	SPECIFICATIONS
FORCE TO ENGAGE	N/A	2 in-lbs Max
FORCE TO DISENGAGE	N/A	2 in-lbs Max
CONTACT RETENTION	60mm/min	6 lbs Min
SERVICE LIFE	N/A	300 times Min

**ELECTRICAL**

	TEST CONDITION	SPECIFICATIONS
IMPEDANCE	DC ~ 6 GHz	50 Ohms
VSWR	DC ~ 6 GHz	1.3 Max
INSERTION LOSS	DC ~ 6 GHz	0.22 dB Max

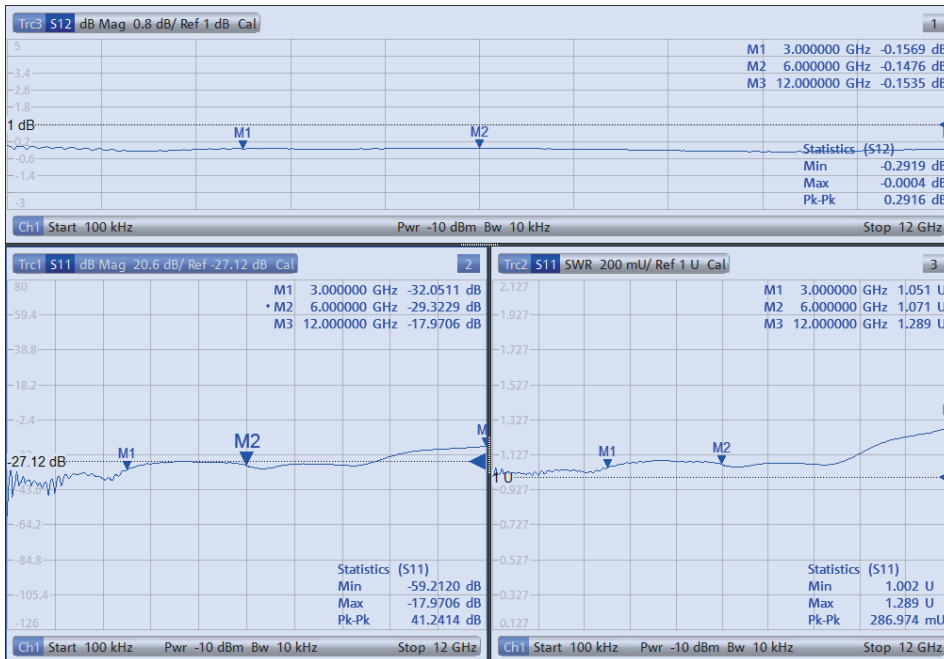


STANDARD DIMENSIONS



50M-78FIS5MHF4P1

TEST REPORT



**RAPIDTEK**  
RF COAXIAL ADAPTOR

Rapidtek Magnetic Devices Inc.  
http://www.rapidtek.net  
Tel : 02 - 8698 - 1068  
Fax : 02 - 8698 - 1018

17F, No.75, Sec. 1, Xintai 5th Rd., Xizhi Dist., New Taipei City 22101, Taiwan

TWN0200610080002  
Ver.02\_20170216