

MATERIAL AND FINISH

	MATERIAL	FINISH
CENTER CONTACT	BERYLLIUM COPPER PHOSPHOR BRONZE	5μ" GOLD 5μ" GOLD
INSULATOR	PTFE	WHITE
OUTER CONTACT	BERYLLIUM COPPER	5μ" GOLD

MECHANICAL

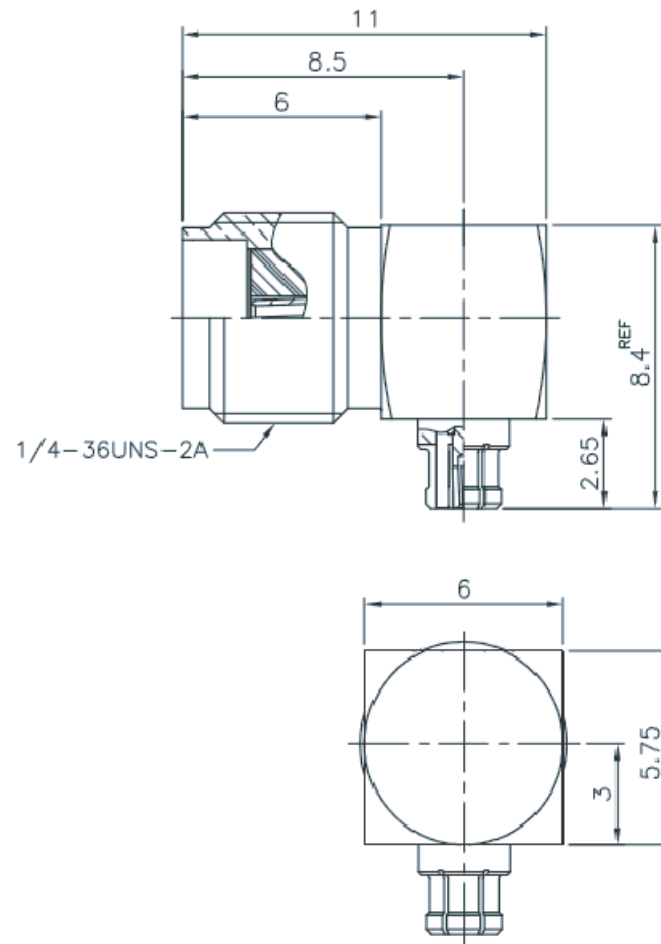
	TEST CONDITION	SPECIFICATIONS
FORCE TO ENGAGE/DISENGAGE	N/A	2 in-lbs Max (SMA) 29N Max (SMPPM)
CONTACT RETENTION	60mm/min	6 lbs Min

ELECTRICAL

	TEST CONDITION	SPECIFICATIONS
IMPEDANCE	DC ~ 6 GHz	50 Ohms
VSWR	DC ~ 6 GHz	1.3 Max
INSERTION LOSS	DC ~ 6 GHz	0.1dB Max



STANDARD DIMENSIONS



55F-78FIR5B



RAPIDTEK
RF COAXIAL ADAPTOR

Rapidtek Magnetic Devices Inc.
<http://www.rapidtek.net>
Tel : 02 - 8698 - 1068
Fax : 02 - 8698 - 1018

17F, No.75, Sec. 1, Xintai 5th Rd., Xizhi Dist., New Taipei City 22101, Taiwan

TWN0200646000010
Ver.01_20170103