

MATERIAL AND FINISH

	MATERIAL	FINISH
CENTER CONTACT	BERYLLIUM COPPER	30μ" GOLD
INSULATOR	PTFE	WHITE
OUTER CONTACT	BRASS	70μ" NICKEL

MECHANICAL

	TEST CONDITION	SPECIFICATIONS
FORCE TO ENGAGE	N/A	6 in-lbs Max (N)
FORCE TO ENGAGE	N/A	2 in-lbs Max (SMA)
FORCE TO DISENGAGE	N/A	6 in-lbs Max (N)
FORCE TO DISENGAGE	N/A	2 in-lbs Max (SMA)
CONTACT RETENTION	60mm/min	6 lbs min
COUPLING NUT RETENTION	N/A	100 lbs min (N)
	N/A	30 lbs min (SMA)
COUPLING PROOF TORQUE	N/A	30 in-lbs min (N)
		15 in-lbs min (SMA)

ELECTRICAL

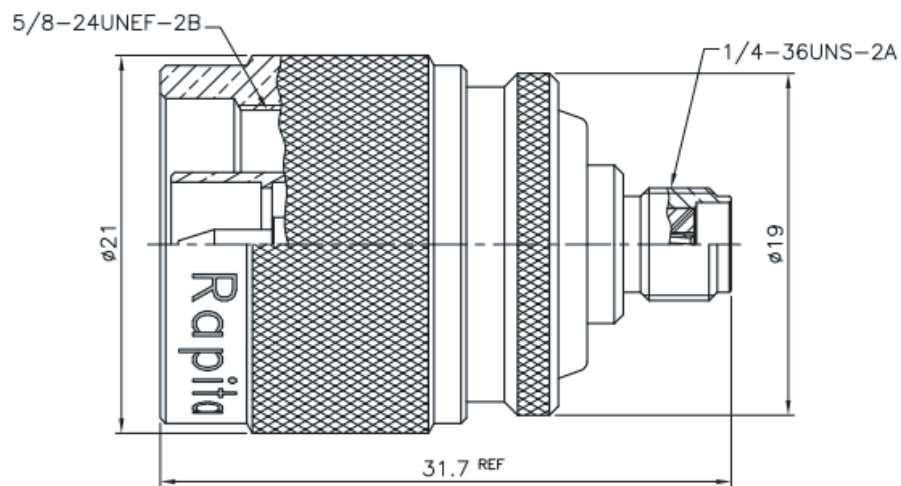
	TEST CONDITION	SPECIFICATIONS
IMPEDANCE	DC ~ 6 GHz	50 Ohms
VSWR	DC ~ 6 GHz	1.3 Max
INSERTION LOSS	DC ~ 6 GHz	0.1dB Max



RAPIDTEK
RF COAXIAL ADAPTOR

Rapidtek Magnetic Devices Inc.
<http://www.rapidtek.net>
 Tel : 02 - 8698 - 1068
 Fax : 02 - 8698 - 1018
 17F, No.75, Sec. 1, Xintai 5th Rd., Xizhi Dist., New Taipei City 22101, Taiwan

STANDARD DIMENSIONS



73M-78FIS5B



RAPIDTEK
RF COAXIAL ADAPTOR

Rapidtek Magnetic Devices Inc.
<http://www.rapidtek.net>
Tel : 02 - 8698 - 1068
Fax : 02 - 8698 - 1018

17F, No.75, Sec. 1, Xintai 5th Rd., Xizhi Dist., New Taipei City 22101, Taiwan

TWN0200613000060
Ver.01_20170219