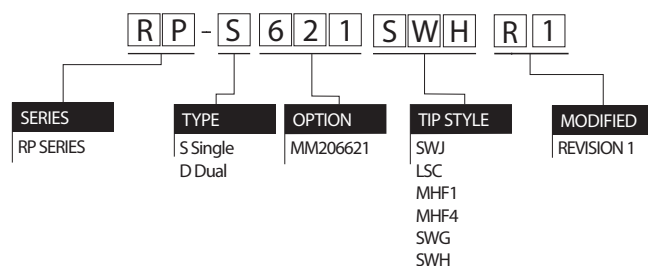


PART NUMBER DESCRIPTION



MATERIAL AND FINISH

	MATERIAL	FINISH
CENTER CONTACT	BERYLLIUM COPPER	10 μ " GOLD
INSULATOR	PTFE	WHITE
OUTER CONTACT	PHOSPHOR BRONZE	10 μ " GOLD
PANEL	STAINLESS STEEL	PASSIVATED
SPRING	SWPB	GOLD
	STAINLESS STEEL	NONE

MECHANICAL

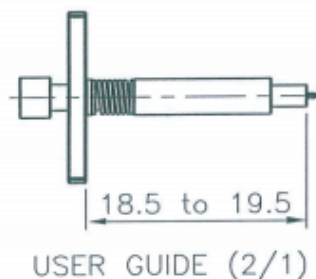
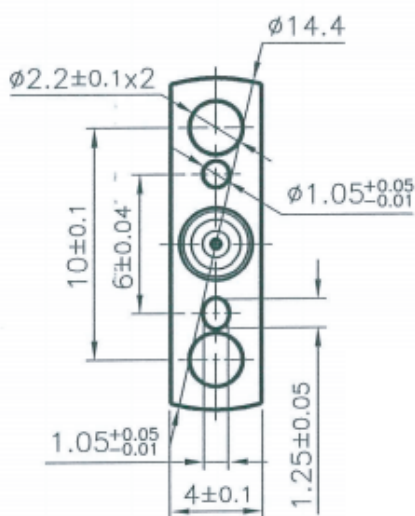
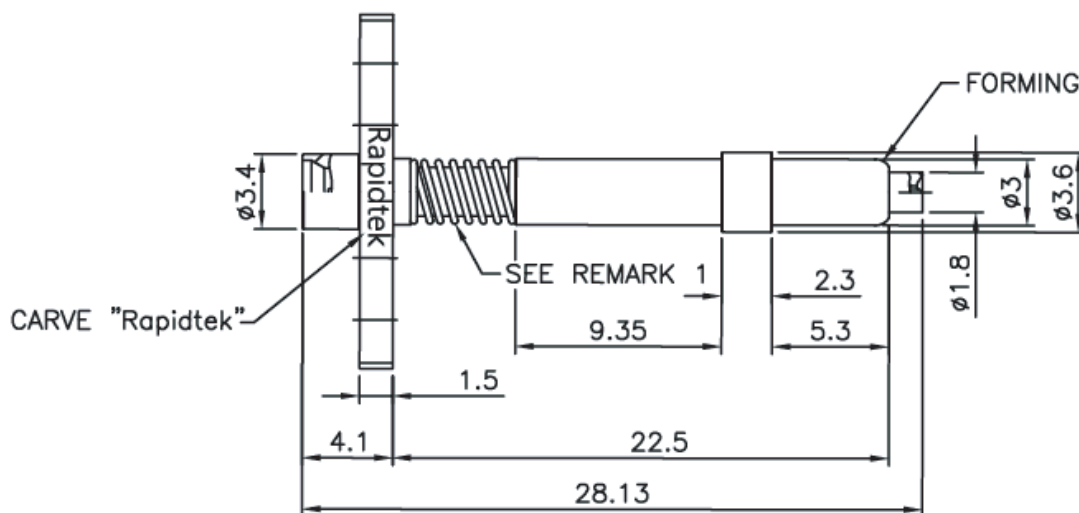
	TEST CONDITION	SPECIFICATIONS
FORCE TO ENGAGE	N/A	19 N Max (SMMP)
FORCE TO DISENGAGE	N/A	29 N Max (SMMP)
CONTACT RETENTION	60mm/min	7 N Min
SERVICE LIFE	N/A	10000 times Min

ELECTRICAL

	TEST CONDITION	SPECIFICATIONS
IMPEDANCE	DC ~ 6 GHz	50 Ohms
VSWR	DC ~ 6 GHz	1.6 Max
INSERTION LOSS	DC ~ 6 GHz	0.5 Max



STANDARD DIMENSIONS



RP-S621SWHR1



RAPIDTEK
RF PROBE

Rapidtek Magnetic Devices Inc.
http://www.rapidtek.net
Tel : 02 - 8698 - 1068
Fax : 02 - 8698 - 1018

17F, No.75, Sec. 1, Xintai 5th Rd., Xizhi Dist., New Taipei City 22101, Taiwan

TWN0200610060003
Ver.03_20170414