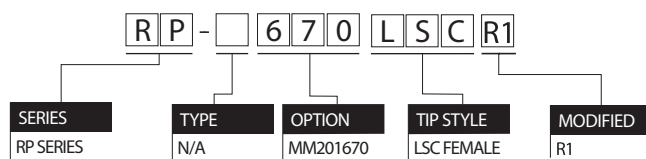


PART NUMBER DESCRIPTION



MATERIAL AND FINISH

	MATERIAL	FINISH
CENTER CONTACT	BERYLLIUM COPPER	10μ" GOLD
INSULATOR	PTFE	WHITE
OUTER CONTACT	PHOSPHOR BRONZE	10μ" GOLD
	BRASS	GOLD
PANEL	STAINLESS STEEL	PASSIVATED
SPRING	SWPB	GOLD
	STAINLESS STEEL	NONE

MECHANICAL

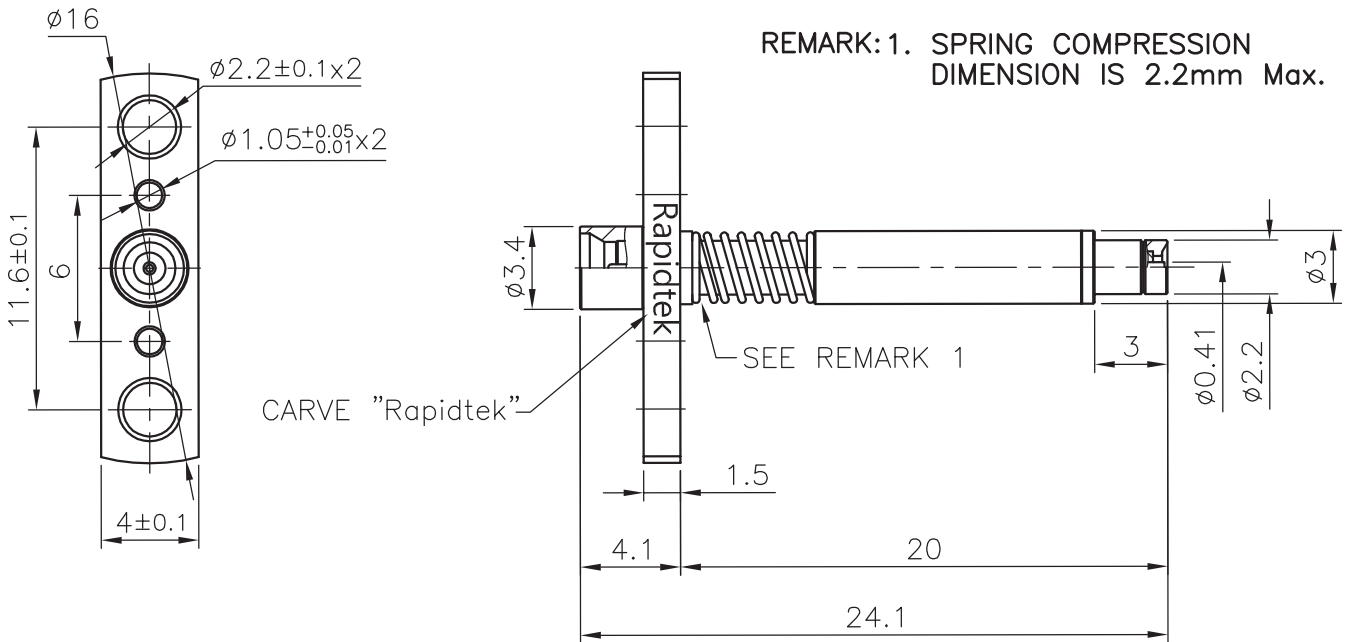
	TEST CONDITION	SPECIFICATIONS
FORCE TO ENGAGE	N/A	19 N Max (SMPM)
FORCE TO DISENGAGE	N/A	29 N Max (SMPM)
CONTACT RETENTION	60mm/min	7 N Min (SMPM)
MAXIMUM COMPRESSION	N/A	2.2mm
RECOMMEND COMPRESSION	N/A	0.5mm ~ 1.5mm

ELECTRICAL

	TEST CONDITION	SPECIFICATIONS
IMPEDANCE	DC ~ 6 GHz	50 Ohms
VSWR	DC ~ 6 GHz	1.3 Max
	DC ~ 10 GHz	1.7 Max

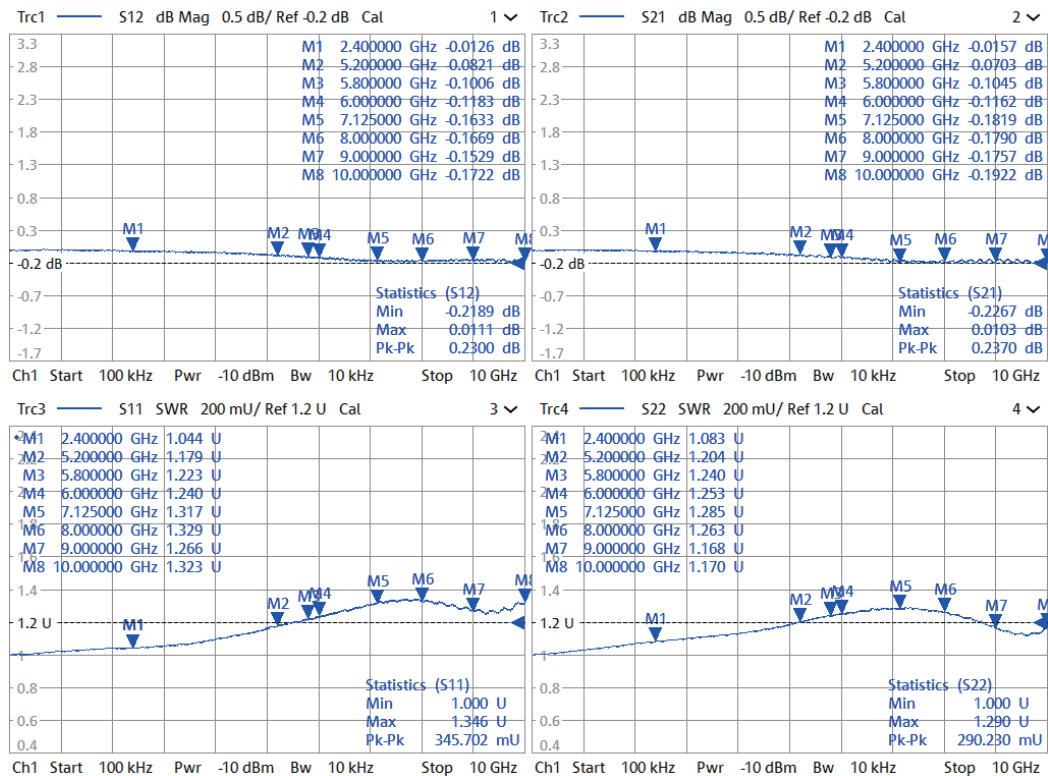


STANDARD DIMENSIONS



RP-670LSCR1

TEST REPORT



RAPIDTEK
RF PROBE