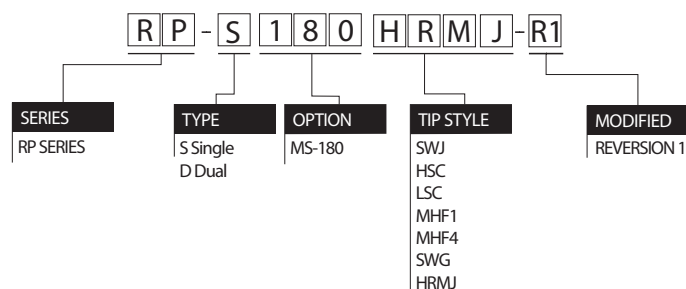


PART NUMBER DESCRIPTION



MATERIAL AND FINISH

	MATERIAL	FINISH
CENTER CONTACT	BERYLLIUM COPPER	GOLD PLATED
INSULATOR	BRASS	GOLD PLATED
OUTER CONTACT	PTFE	N/A
PANEL	BRASS	GOLD PLATED
SPRING	STAINLESS STEEL	PASSIVATED
	SWPB	GOLD

MECHANICAL

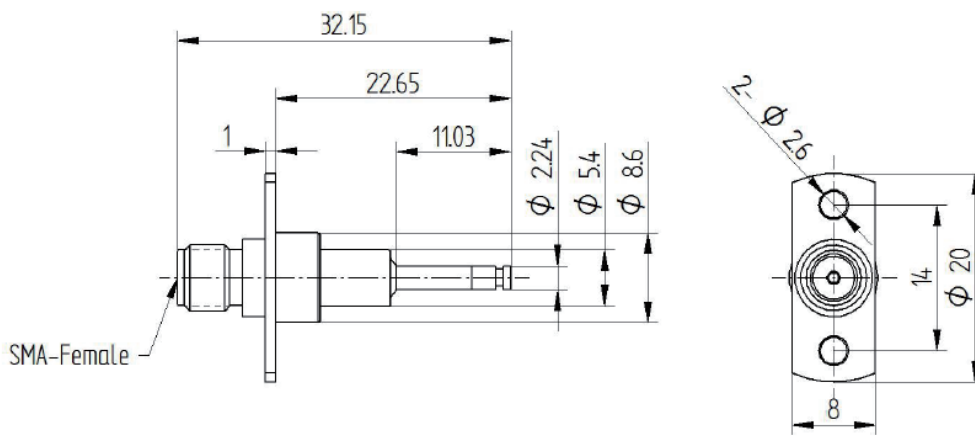
	TEST CONDITION	SPECIFICATIONS
FORCE TO ENGAGE	N/A	2 in-lbs Max (SMA)
FORCE TO EDISENGAGE	N/A	2 in-lbs Max (SMA)
CONTACT RETENTION	60mm/min	6 lbs Min (SMA)
DURABILITY	N/A	≥20000 cycles

ELECTRICAL

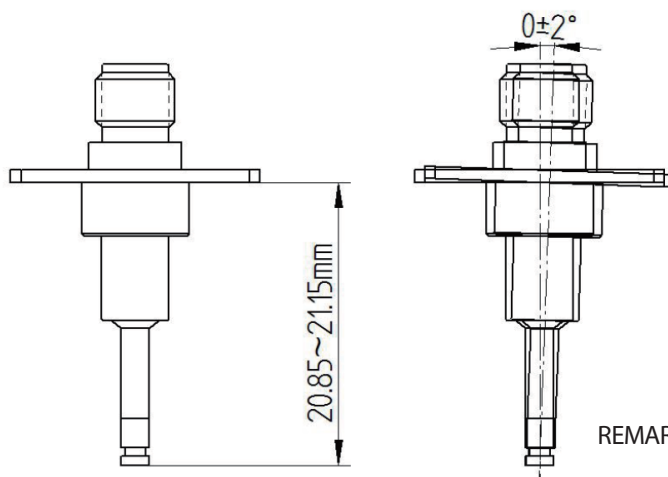
	TEST CONDITION	SPECIFICATIONS
IMPEDANCE	DC ~ 6 GHz	50 Ohms
VSWR	DC ~ 6 GHz	1.3 Max
INSERTION	DC ~ 3 GHz	0.3 dB Max
	3 ~ 6 GHz	0.4 dB Max



STANDARD DIMENSIONS



RP-S180HRMJ-R1



REMARK : 1. SPRING COMPRESSION
DIMENSION IS 1.5~1.8mm Max.

