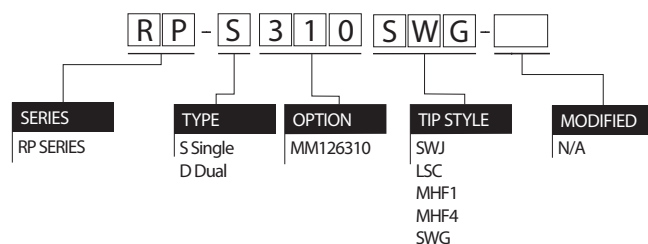


PART NUMBER DESCRIPTION



MATERIAL AND FINISH

	MATERIAL	FINISH
CENTER CONTACT	BERYLLIUM COPPER	3 u"/30 u" GOLD
INSULATOR	PTFE	WHITE
OUTER CONTACT	BRASS	10 u" GOLD
	BRASS	GOLD
SPRING	SWPB	3 u" GOLD
	SW80C	3 u" GOLD

MECHANICAL

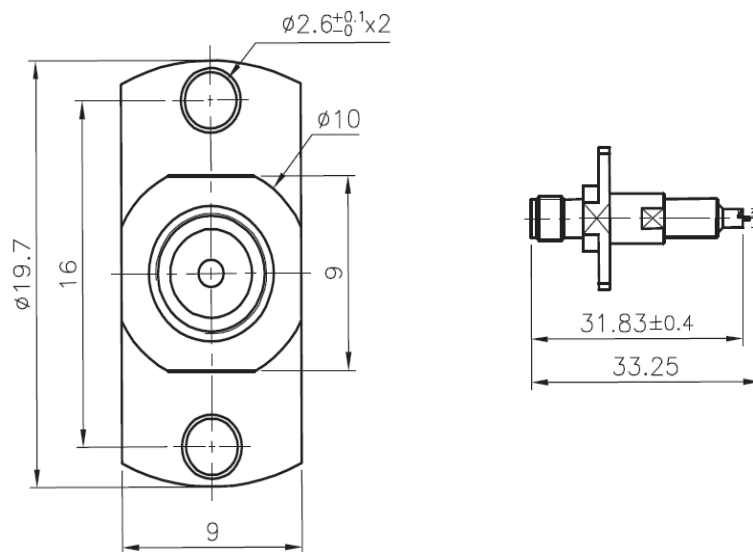
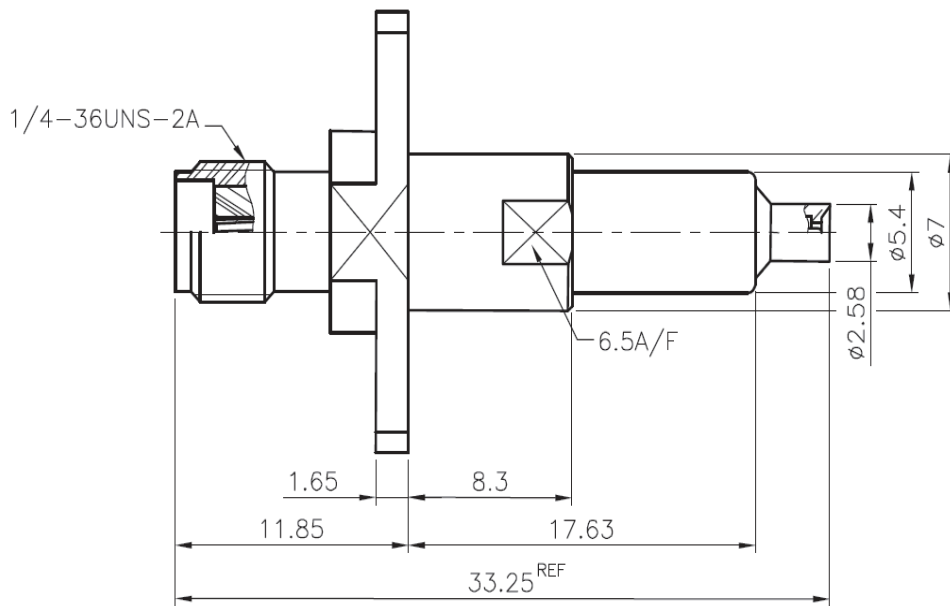
	TEST CONDITION	SPECIFICATIONS
FORCE TO ENGAGE	N/A	2 in-lbs Max (SMA)
FORCE TO DISENGAGE	N/A	2 in-lbs Max (SMA)
CONTACT RETENTION	60mm/min	6 lbs Min (SMA)
MAXIMUM COMPRESSION	N/A	1.4mm
RECOMMENDED COMPRESSION	N/A	0.9-1.2mm
DURABILITY	N/A	10,000 cycles Min(SWG)

ELECTRICAL

	TEST CONDITION	SPECIFICATIONS
IMPEDANCE	DC ~ 6 GHz	50 Ohms
INSERTION LOSS	DC ~ 3 GHz	0.5 dB Max
	DC ~ 6 GHz	0.7 dB Max
VSWR	DC ~ 3 GHz	1.3 Max
	DC ~ 6 GHz	1.5 Max



STANDARD DIMENSIONS



RP-S310SWG



RAPIDTEK
RF PROBE