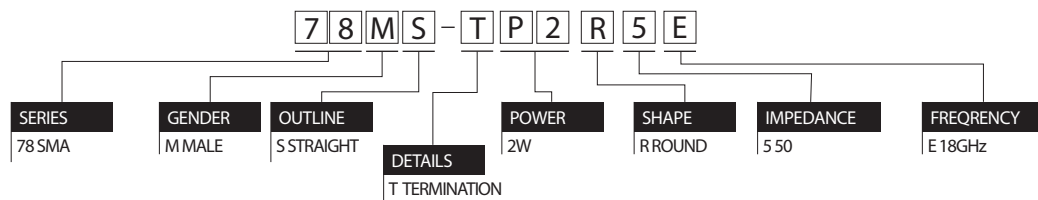


PART NUMBER DESCRIPTION



MATERIAL AND FINISH

	MATERIAL	FINISH
CENTER CONTACT	PHOSPHOR BRONZE	10µ" GOLD Max
INSULATOR	PTFE	
OUTER CONTACT	STAINLESS	PASSIVATED
GASKET	SILICONE RUBBER	
COUPLING NUT	BRASS	GOLD

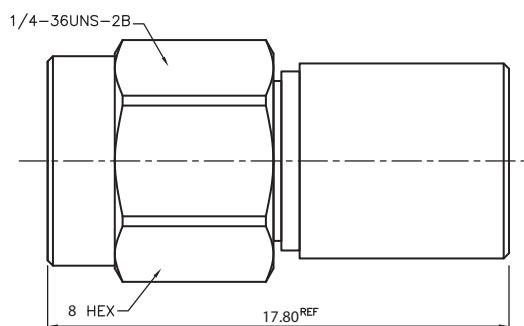
MECHANICAL

	TEST CONDITION	SPECIFICATIONS
FORCE TO ENGAGE	N/A	2 in-lbs Max
FORCE TO DISENGAGE	N/A	2 in-lbs Max
CONTACT RETENTION	60mm/min	6 lbs Min
SERVICE LIFE	N/A	1000 times Min

ELECTRICAL

	TEST CONDITION	SPECIFICATIONS
IMPEDANCE	DC ~ 18 GHz	50 Ohms
VSWR	DC ~ 6 GHz	1.15 Max
	6 ~ 18 GHz	1.3 Max
POWER RATING	DC ~ 18 GHz	2W

STANDARD DIMENSIONS



RAPIDTEK
RF COAXIAL ADAPTOR