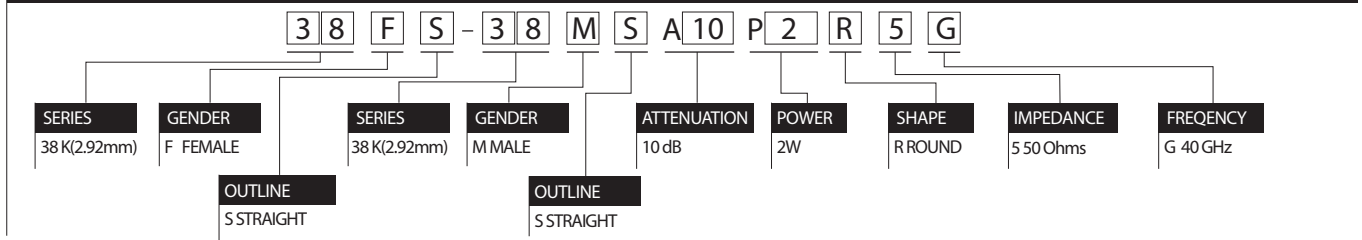


### PART NUMBER DESCRIPTION



### MATERIAL

	MATERIAL	FINISH
FEMALE CENTER CONTACT	BERYLLIUM COPPER	GOLD PLATED
MALE CENTER CONTACT	BRASS	GOLD PLATED
OUTER CONTACT	BRASS	STAINLESS STEEL

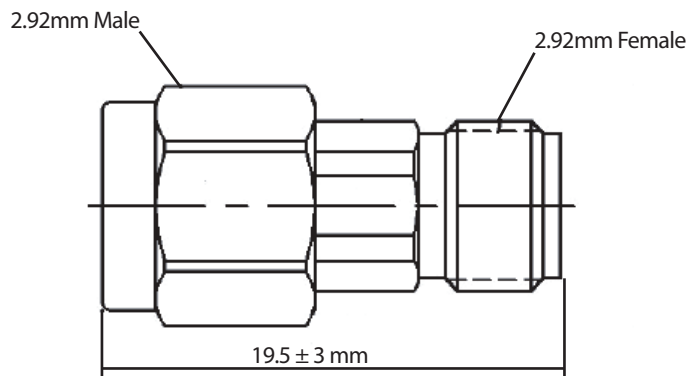
### MECHANICAL AND ENVIRONMENTAL

	TEST CONDITION	SPECIFICATION
FORCE TO ENGAGE/DISENGAGE	N/A	2 in-lbs MAX
TEMPERATURE RANGE	N/A	-55°C TO +125°C

### ELECTRICAL

	TEST CONDITION	SPECIFICATIONS
IMPEDANCE	DC~ 40 GHz	50 Ohms
VSWR	DC~ 40 GHz	1.4 Max.
ATTENUATION	DC~ 40 GHz	10 dB
ATTENUATION TOLERANCE	DC~ 40 GHz	± 1.0 dB

### STANDARD DIMENSIONS



**RAPIDTEK**  
RF COAXIAL PRODUCTS

Rapidtek Magnetic Devices Inc.  
<http://www.rapidtek.net>  
 Tel : 02 - 8698 - 1068  
 Fax : 02 - 8698 - 1018  
 17F, No.75, Sec. 1, Xintai 5th Rd., Xizhi Dist., New Taipei City 22101, Taiwan