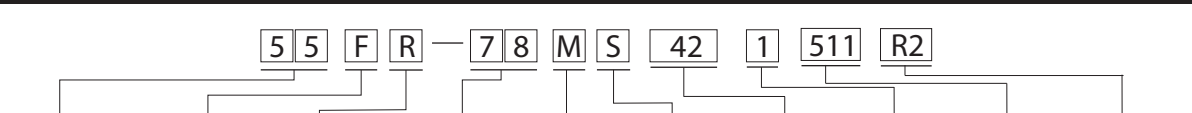


| PART NUMBER DESCRIPTION | | | | | | | | | |
|--|----------|---------------|--------|--------|------------|-------------|------------|------------|---------|
|  | | | | | | | | | |
| SERIES | GENDER | OPTION | SERIES | GENDER | OPTION | LENGTH (cm) | CABLE TYPE | CABLE CODE | VERSION |
| 55 SMPM | F FEMALE | R RIGHT ANGLE | 78 SMA | M MALE | S STRAIGHT | 42 cm | 1 RPSF | 511 | R2 |

| MATERIAL AND FINISH | |
|---------------------|-------------|
| | DETAIL |
| CABLE | RPSF |
| CONNECTOR A | SMPM FEMALE |
| CONNECTOR B | SMA MALE |

| MECHANICAL AND ENVIRONMENTAL | |
|------------------------------|-------------------------------|
| | SPECIFICATIONS |
| NOMINAL OUTER DIAMETER | 1.42 mm |
| MIN BEND RADIUS | 5 mm |
| MIN BEND RADIUS DYNAMIC | 10 mm |
| TEMPERATURE RANGE | -55°C ~ 155°C |
| CABLE RETENTION | 10 N min or when cable breaks |

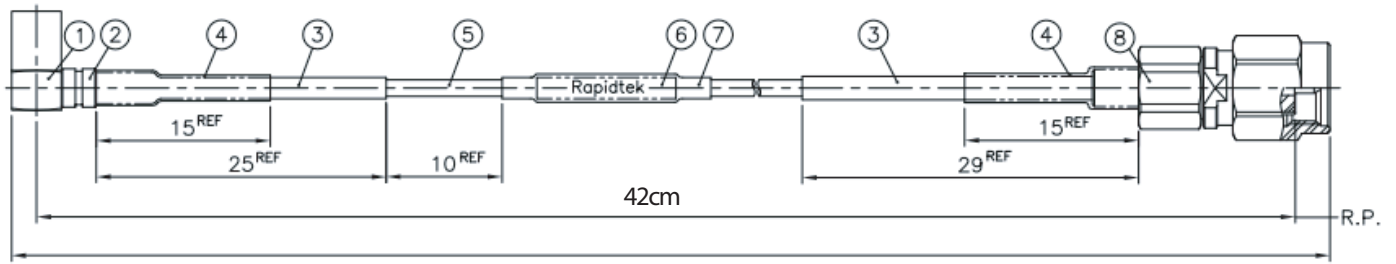
| ELECTRICAL | | |
|---------------------------------|---------------------|----------------|
| | TEST CONDITION | SPECIFICATIONS |
| IMPEDANCE | DC~ 12.4 GHz | 50 Ohms |
| VSWR | DC~ 6 GHz | 1.2 Max |
| INSERTION LOSS | DC~ 6 GHz | 1.7 dB Max |
| DIELECTRIC WITHSTANDING VOLTAGE | DC, TIME:60SEC | 325 Vrms Min |
| INSULATION RESISTANCE | DC 500V, TIME 60SEC | 5000 Mohms Min |



RAPIDTEK
RF COAXIAL CABLE

Rapidtek Magnetic Devices Inc.
<http://www.rapidtek.net>
 Tel : 02 - 8698 - 1068
 Fax : 02 - 8698 - 1018
 17F, No.75, Sec. 1, Xintai 5th Rd., Xizhi Dist., New Taipei City 22101, Taiwan

STANDARD DIMENSIONS



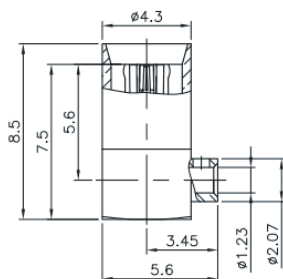
- 1 SMPM (F) CONNECTOR
- 2 FERRULE
- 3 HEAT SHRINK TUBE
- 4 CABLE
- 5 LABEL
- 6 SMA (M) CONNECTOR
- 7 FERRULE
- 8 HEAT SHRINK TUBE

NOTE : FERRULE HAS BRASS (PER QQ-B-626) MATERIAL WITH NICKEL PLATING (70mm) COPPER STRIKE

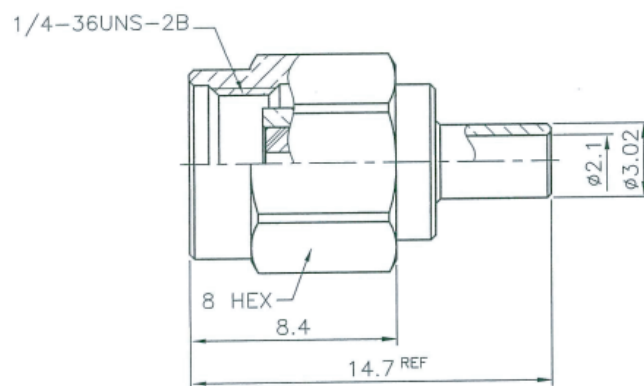
ALL DIMENSIONS IN mm

CONNECTOR

SMPM (F) R/A



SMA (M)



RAPIDTEK
RF COAXIAL CABLE

Rapidtek Magnetic Devices Inc.
<http://www.rapidtek.net>
 Tel : 02 - 8698 - 1068
 Fax : 02 - 8698 - 1018

17F, No.75, Sec. 1, Xintai 5th Rd., Xizhi Dist., New Taipei City 22101, Taiwan

TWN0200610030009
 Version:00 ; Date:2017/08/14