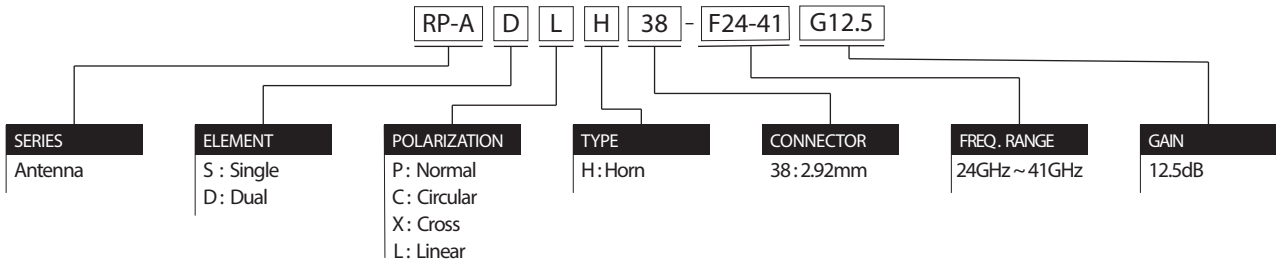


Dual Linear Polarized Horn Antenna

PART NUMBER DESCRIPTION



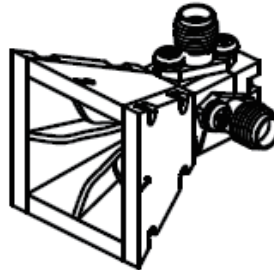
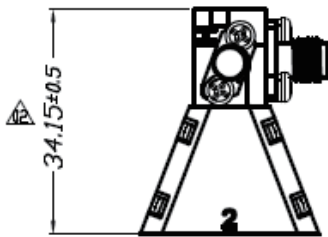
ELECTRICAL

Frequency Range	24 GHz - 41 GHz
Polarization	Dual Linear
Gain	12.5 dB Typ.
3dB Beamwidth(deg)	25~55 Typ.
VSWR	1.5 Typ, 3.0 Maximum

MECHANICAL

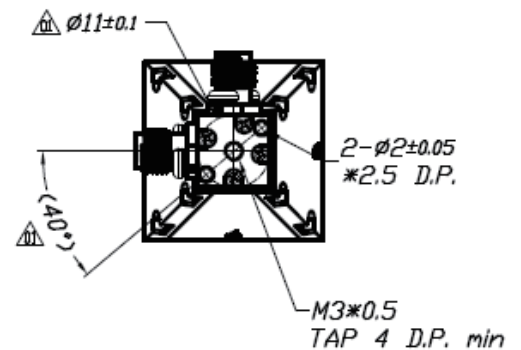
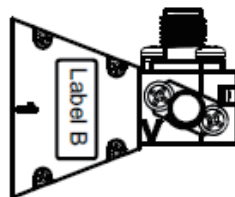
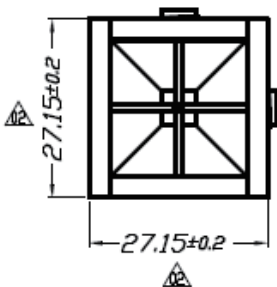
Output	2.92mm Female
Material	Aluminium
Size	27.15mm x 27.15mm x 34.15mm

DIEMNSIONS



TOLERANCE		
.X	±.10	ANGLES
.XX	±.05	∠ ±1°
.XXX	±.02	

DIMENSIONS IN mm



RAPIDTEK
RF ANTENNA

Rapidtek Magnetic Devices Inc.
http://www.rapidtek.net
Tel : 02 - 8698 - 1068
Fax : 02 - 8698 - 1018

17F, No.75, Sec. 1, Xintai 5th Rd., Xizhi Dist., New Taipei City 22101, Taiwan

TWN0300910270002
Ver.03_20200618