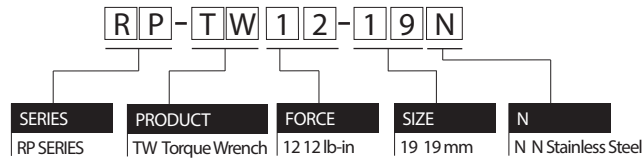


PART NUMBER



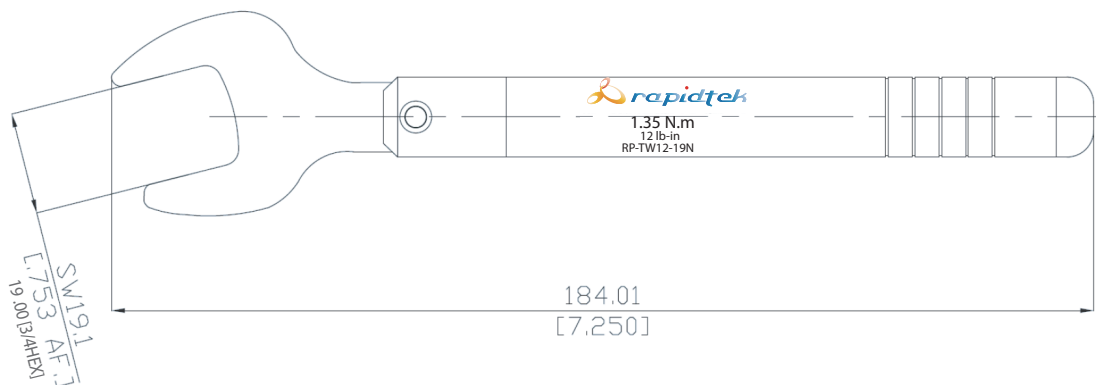
MATERIAL AND FINISH

	MATERIAL	FINISH
SPANNER	TOOL STEEL	NICKEL
HANDLE	ALUMINUM	GOLD

MECHANICAL

WIDTH ACROSS FLATS	19 mm [3/4"] 19 mm [3/4"]
TORQUE SETTING	12 lb-in ± 0.5 lb-in [1.35 Nm ± 0.06 Nm]
COMPATIBLE CONNECTORS	7mm, N Stainless Steel, Precision N

STANDARD DIMENSION



**RAPIDTEK**  
RF COAXIAL PRODUCTS