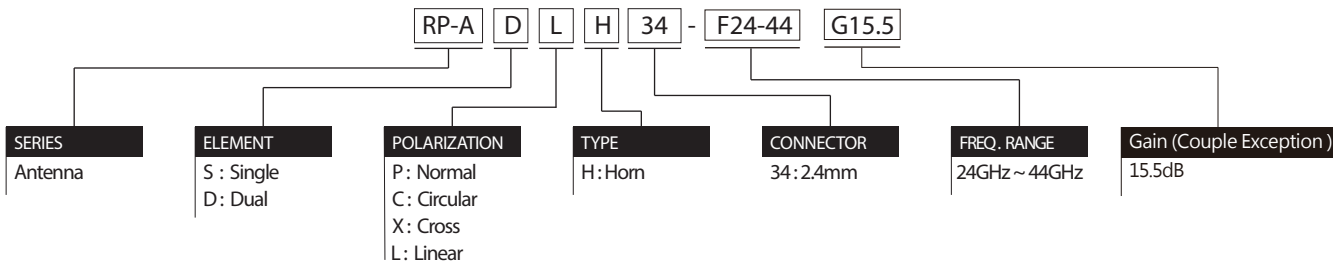


## Dual Linear Polarized Horn Antenna

### PART NUMBER DESCRIPTION



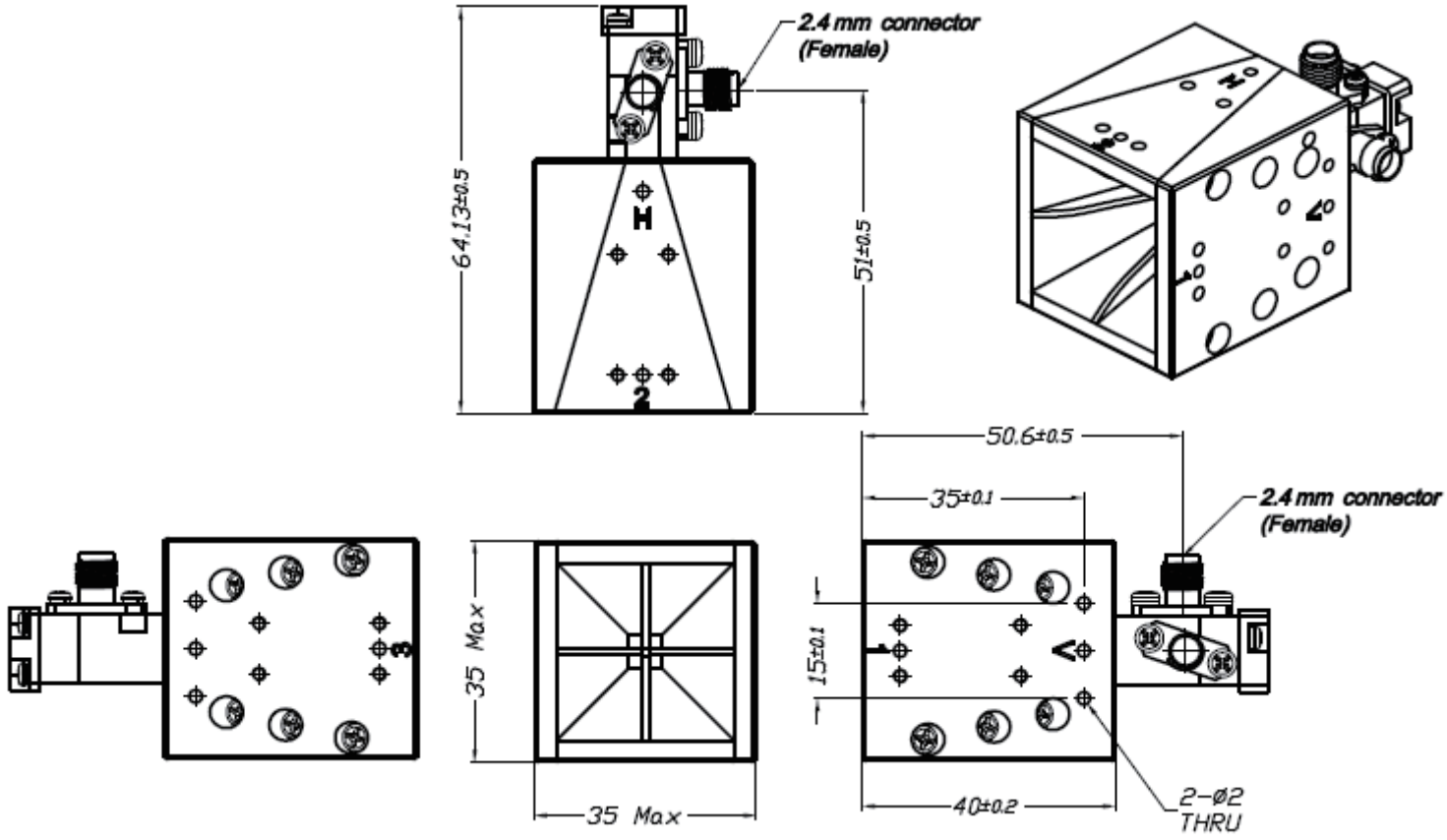
### ELECTRICAL

Frequency Range	24 GHz - 44 GHz
Polarization	Dual Linear
VSWR	2.0 max
Gain	15.5 dBi (±2.5dB)
Impedance	50 ohm
H&V Port Isolation	25dB Min
-3dB Beamwidth (E&H)	E-plane: 20° ~ 30° @28GHz H-plane: 20° ~ 30° @28GHz E-plane: 20° ~ 30° @40GHz H-plane: 20° ~ 30° @40GHz

### MECHANICAL

Output	2.4mm Female
Size	35(W) x 35(D) x 75(H) mm
Operating Temperature	-40 ~ 80 °C

### DIEMNSIONS



**RAPIDTEK**  
RF ANTENNA PRODUCTS