

**MATERIAL AND FINISH**

	MATERIAL	FINISH
CENTER CONTACT	BERYLLIUM COPPER	50μ" GOLD
INSULATOR	PTFE	WHITE
OUTER CONTACT	ALUMINUM	
	BERYLLIUM COPPER	30μ" GOLD
	STAINLESS STEEL	PASSIVATED
<b>OTHERS</b>		
ROD \ BOLT \ PIN	SUS 316	PASSIVATED

**ELECTRICAL**

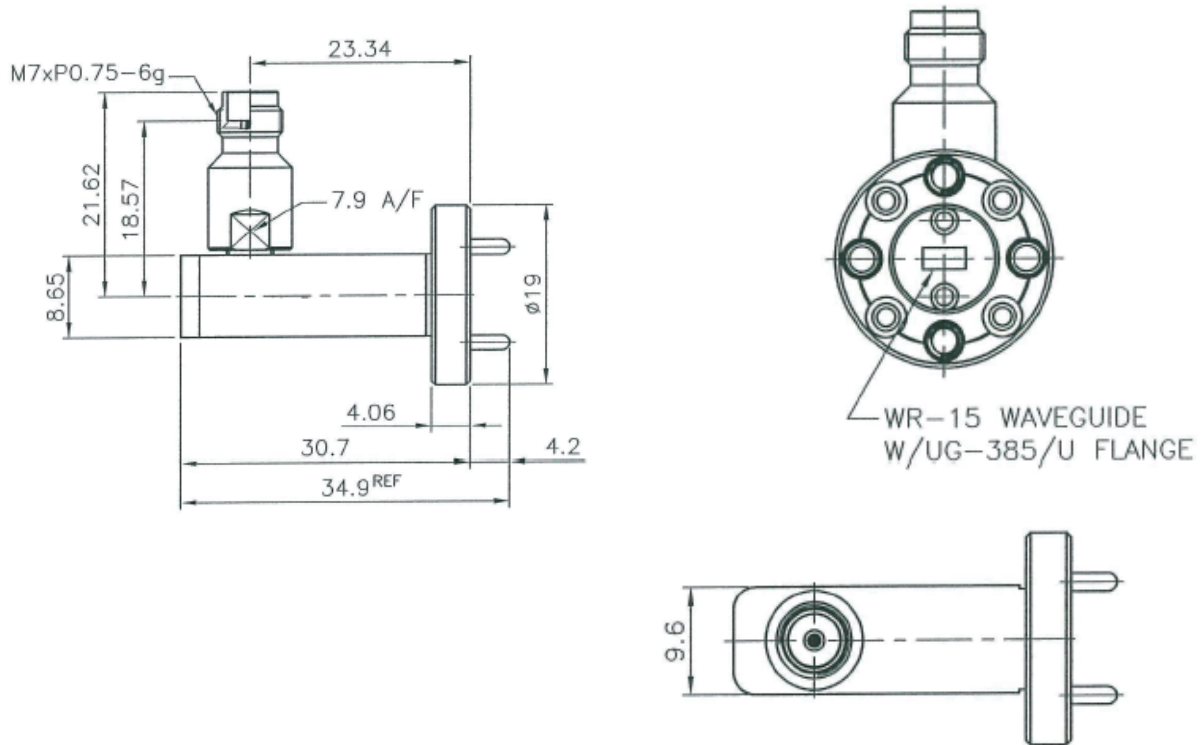
	TEST CONDITION	SPECIFICATIONS
IMPEDANCE	50~ 67 GHz	50 Ohms
VSWR	50 ~ 67 GHz	1.25 Max
INSERTION LOSS	50 ~ 67 GHz	0.5 dB Max

**ENVIRONMENTAL**

	TEST CONDITION	SPECIFICATIONS
TEMPERATURE RANGE	NA	-40~75°C
OPERATING TEMPERATURE	NA	0~55°C



### STANDARD DIMENSIONS



WR15-33FIR5G

